



SEW PROCESSING^M
A WAY TO YOUR PROCESS



WE BUILD

 EXPERIENCES

SEW offers you true business experience. With our technologies, know-how and industry expertise we help you find solutions that fit into every step of your production process. Together, we master your process. Whether you are in the rendering or in the processing industry, process is always key. The process determines your yield, the quality of your end products, the level of your investment and your costs.

PROCESSING

1 | OUR STORY

...SO FAR

The SEW name stems from Muzaffar Nagar that serves as headquarters cum manufacturing unit today, we are a company with roots stretching back well over a long time(2006). Our long history has enabled us to acquire a vast store of knowledge about the industries and processes we work with. Based on this knowledge, we offer unmatched line and system engineering capabilities, along with the most reliable and efficient technology available.



we think
CREATIVE

Pure creative endeavors require tools that offer freedom.



we stand for
QUALITY

We are instrumental in offering our clients with a wide range of excellent quality in Processing Technology...



we do it on
TIME

Time is money when delivery of your product exists. SEW provides in time delivery of all plant associated materials, spares, and machines.



we make it with
ROBUSTNESS

We are providing the high strength machines to processing industry by them the companies run from a long time...

WE DESIGN YOUR PROCESS

**...AND WE LIKE TO
DO IT PERFECTLY**

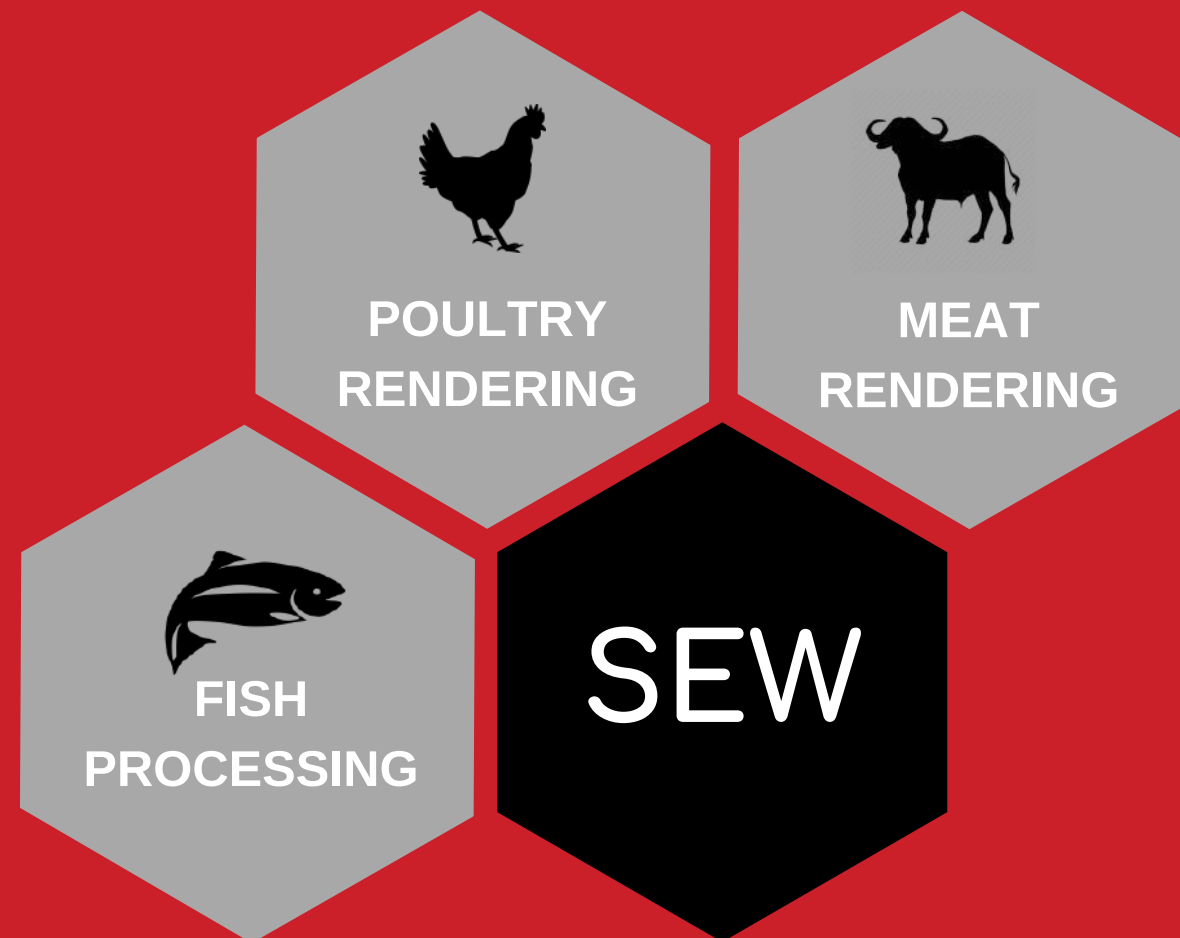
DESIGNING & FITTING IS OUR MAIN PLAYGROUND

SEW uses world-class designing techniques in their plant designing and fitting through which we provide excellent quality plant designing and complete the customer aspect as per their desire. Fitting with clarity in their work SEW considers the point to point quality inspection and provide the best class processing line.



SHORT PRESENTATION OF OUR SERVICES

PROCESSING TECHNOLOGY



POULTRY RENDERING

Poultry by-products - such as carcasses, bones, offal, feathers, fat and blood – which are not intended for human consumption, are transformed into valuable proteins, minerals and oils.



FISH PROCESSING

Fish waste and fish as well will be converted by this process in to fish meal and oil by heating, pressing and grinding.



MEAT RENDERING

Animal by-products other than from poultry – pork and cattle – which are not intended for human consumption, are transformed into valuable proteins, minerals and oils.

1. Dry Rendering
2. Wet Rendering



SIMPLE FACTS ABOUT US

...WE ARE FULLY CHARGE



SEW is working in Rendering and Processing Industry since 2006 and have been served more than 50 companies till now. We design rendering and processing unit and fitted as per desired aspects of the client. On that bases, we have established 16 units all over India till now, and more than 38 companies have tied with us for there spare parts and machines.



25

SUCCESSFUL PROJECTS

our company has provided 20 units all over India till now and continuing..



45

SATISFIED CLIENTS

SEW has tied up with more than 38 companies for there machines and spare parts.



120

MACHINES SUPPLIED

SEW supply more than 120 machines per year and plants as well.

OUR CAPABILITIES

n facts and numbers



WE WORK ON QUALITY PRODUCT

SEW provides quality product by there experiece in processing industry since 2006.



GOT EXCELLENCE IN OUR PRODUCTION

We the SEW has quality of being outstanding or extremely good.



CERTIFICATION

SEW is ISO Certified company (9001-2015).

OUR COMPANY IN NUMBERS

OLDEST RENDERING PLANT MANUFACTURER/

60



wonderful people working as a team

20



automatic plant operation start to end.

1



stable manufacturing unit.

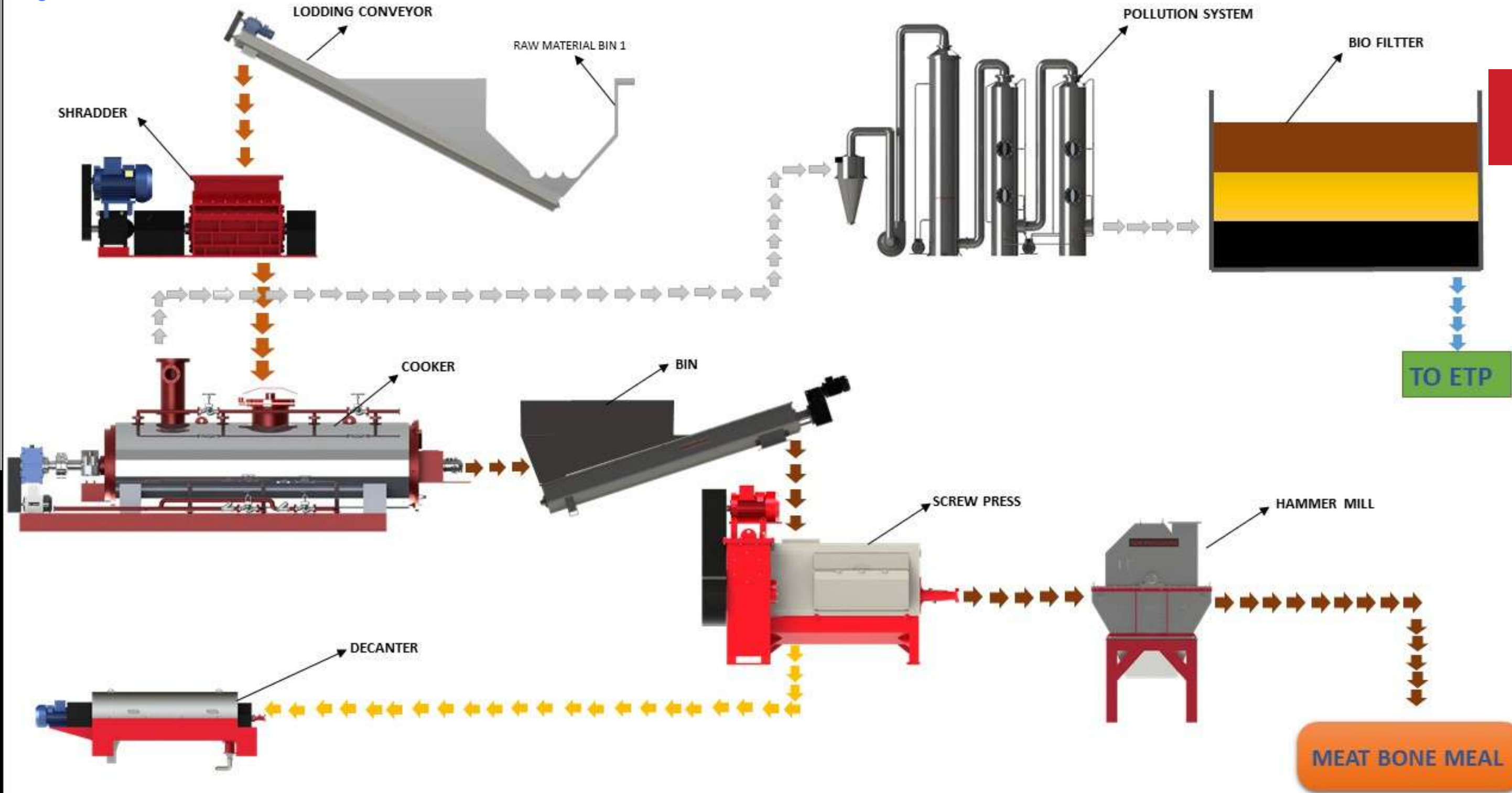
15



15 year of experience in processing and rendering industry.



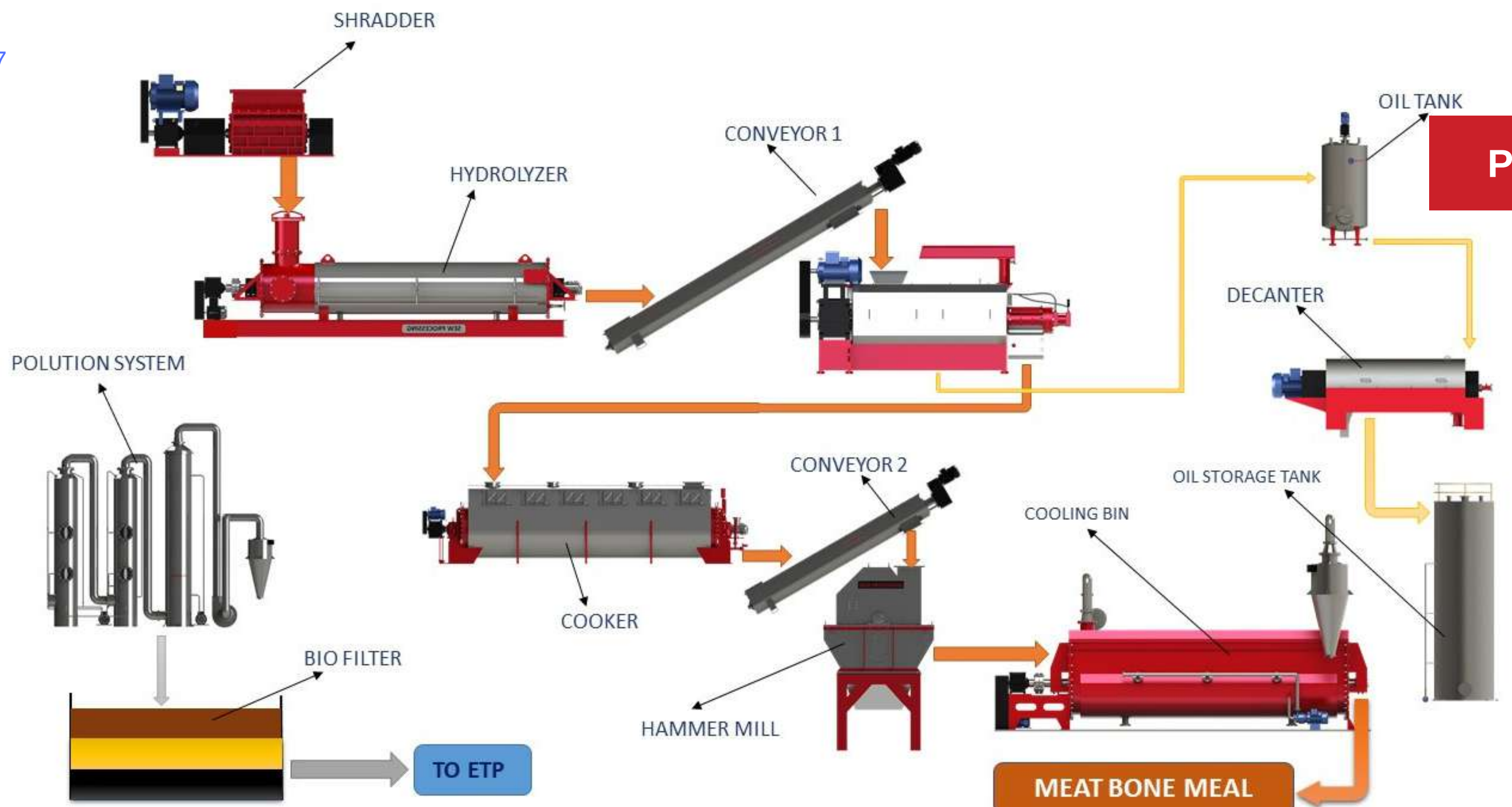
6



PROCESS FLOW

MEAT BONE MEAL

BUFFALO RENDERING PLANT



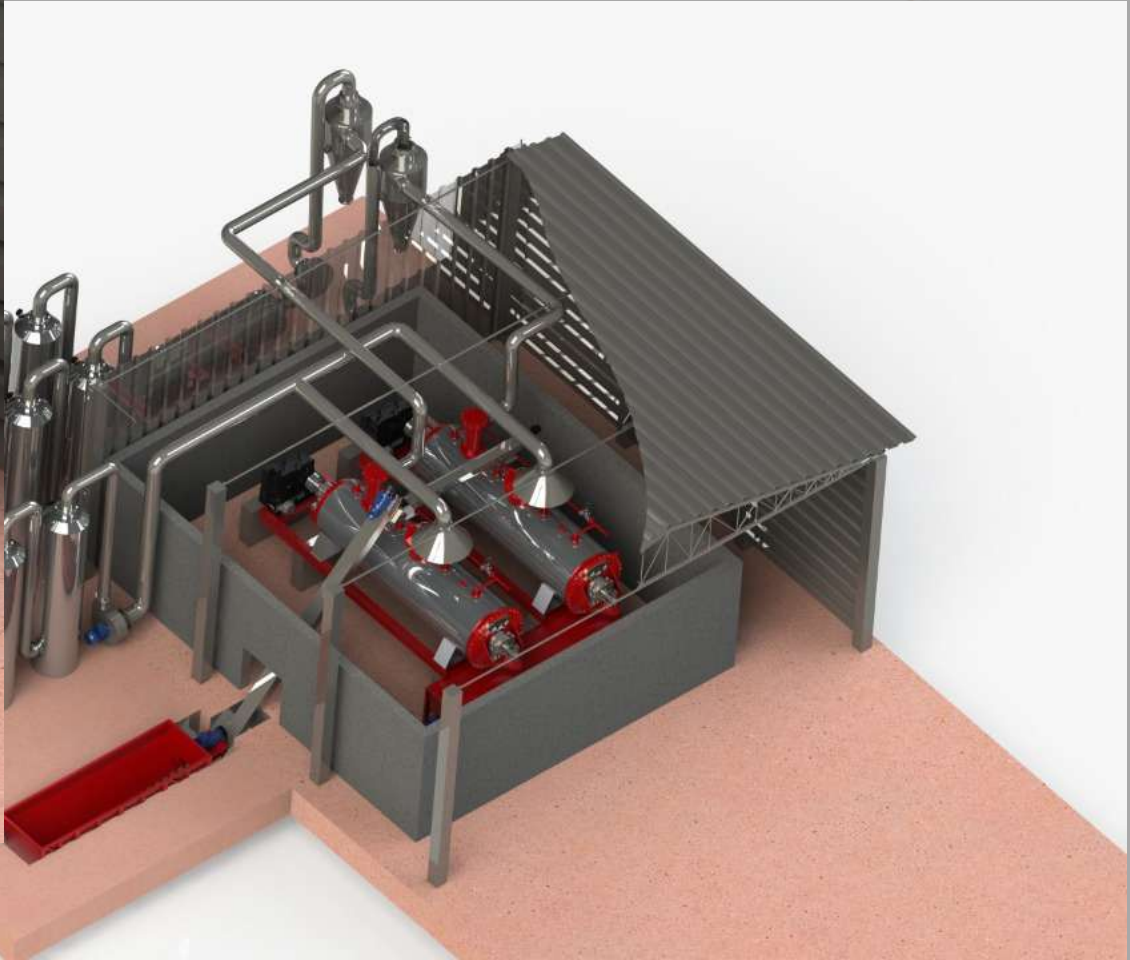
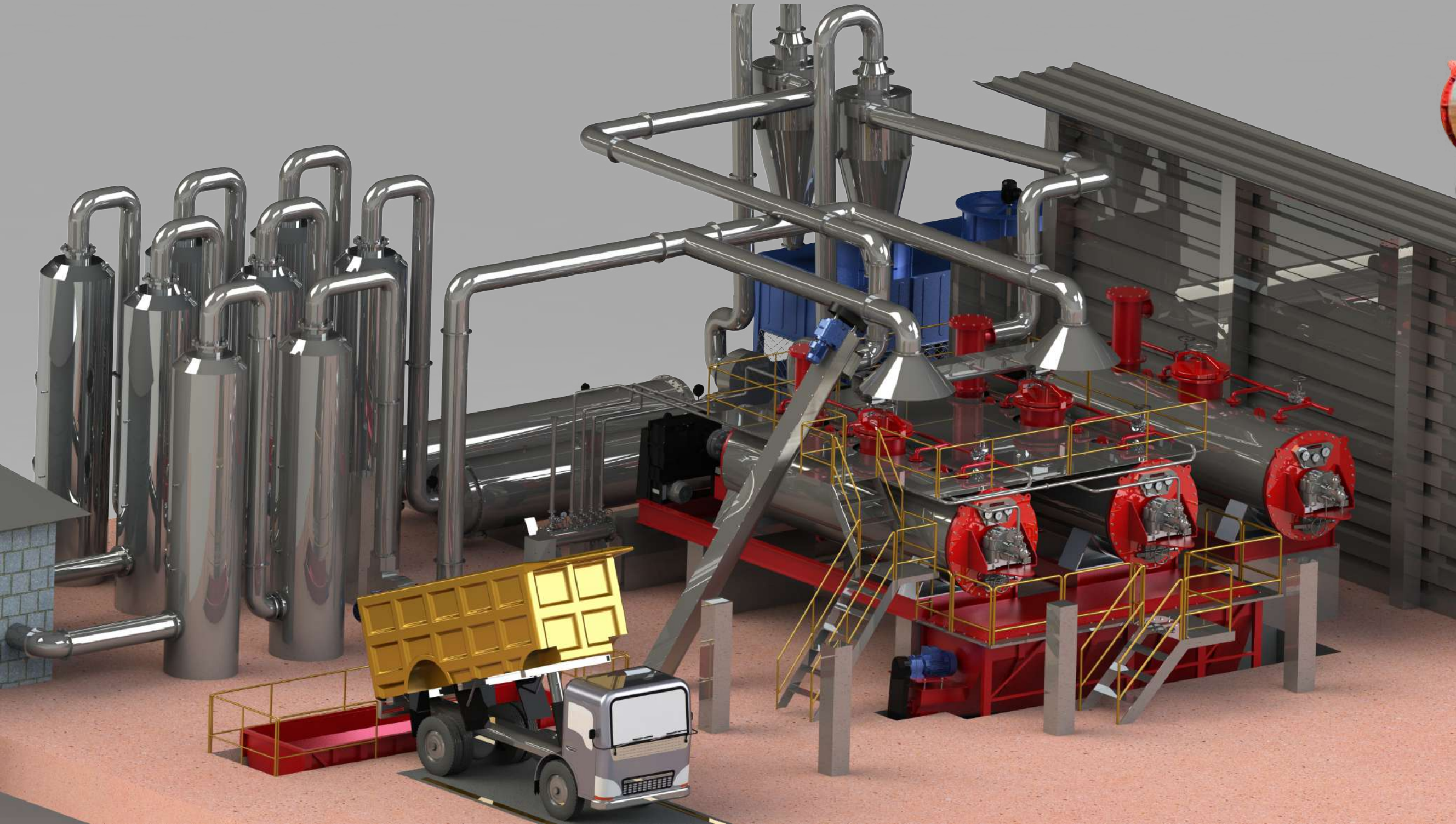
PROCESS FLOW

FISH MEAL AND OIL PLANT

CHICKEN WASTE RENDERING

WHAT WE HAVE

8



WHAT WE HAVE

9

SEW RENDERING SOLUTIONS

...WE HAVE ALL FOR YOUR PROCESS



SEW brings all the machines required in rendering and processing industry, with effective and desired production capacity.

CRUSHING

COOKING

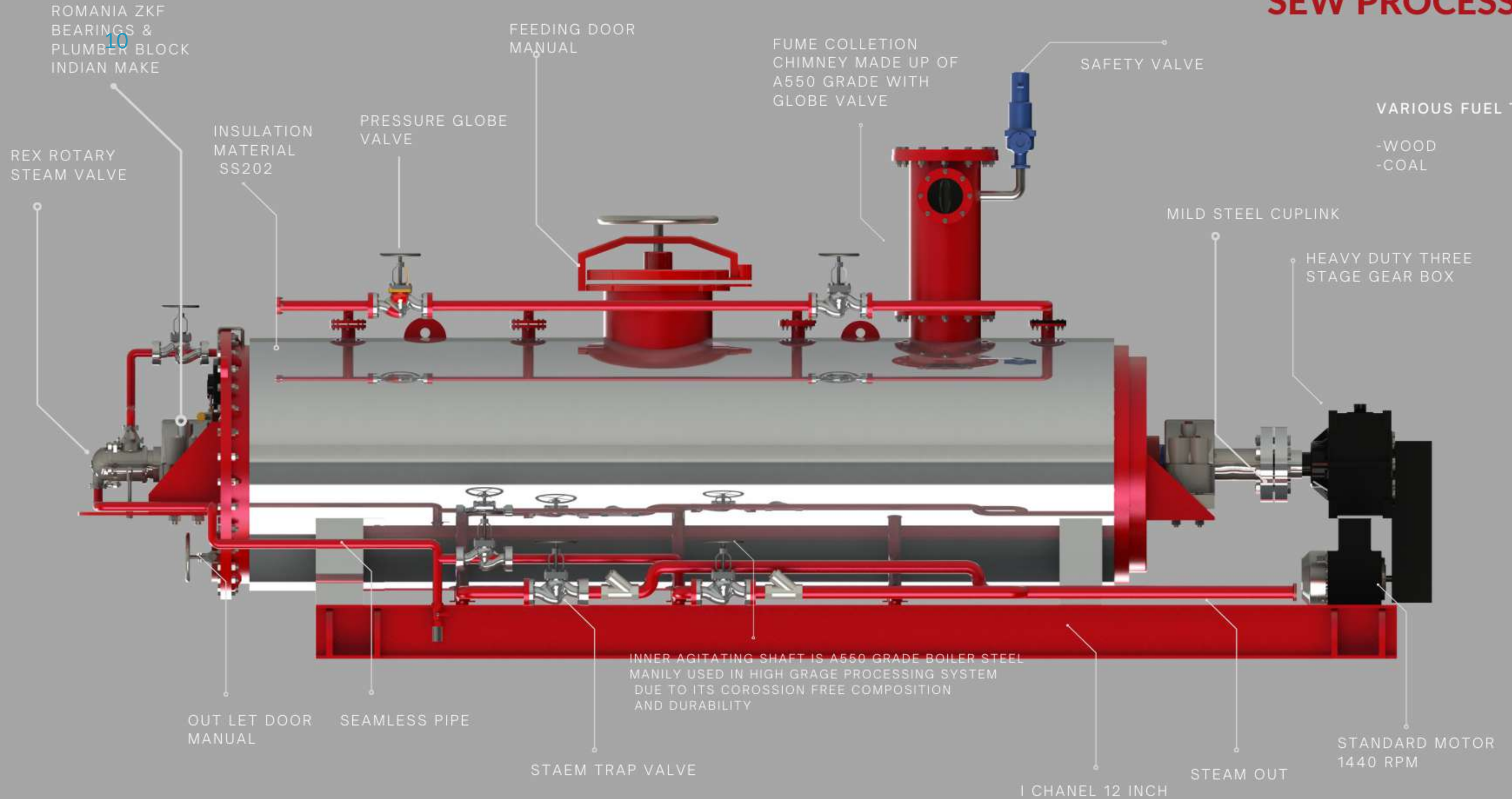
PRESSING

GRINDING

STORAGE

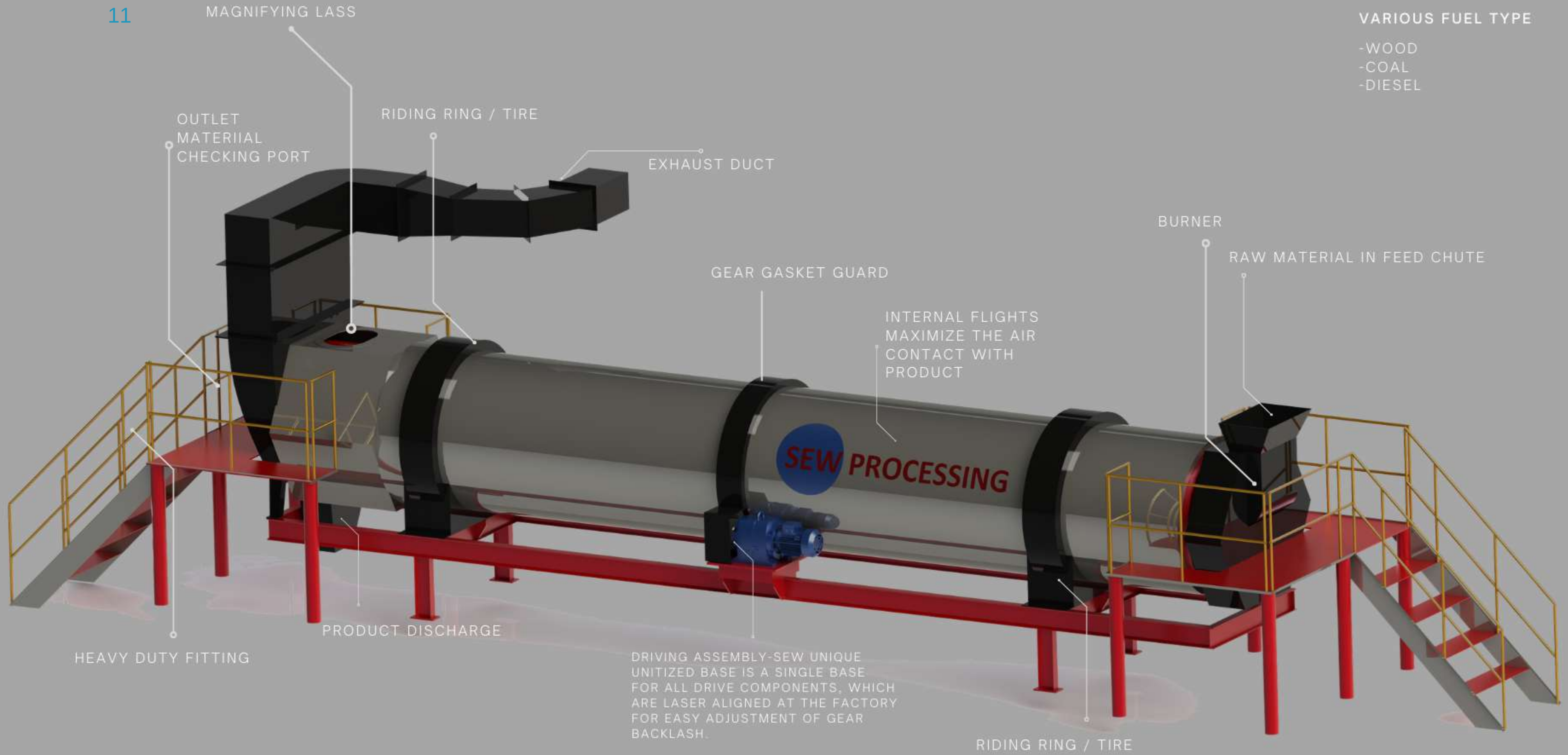
SEPARATION

SEW PROCESSING



HYDROLIZER

- WOOD
- COAL
- DIESEL



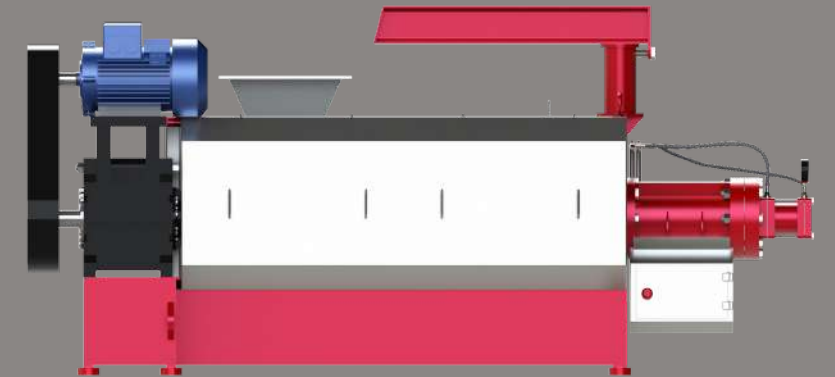
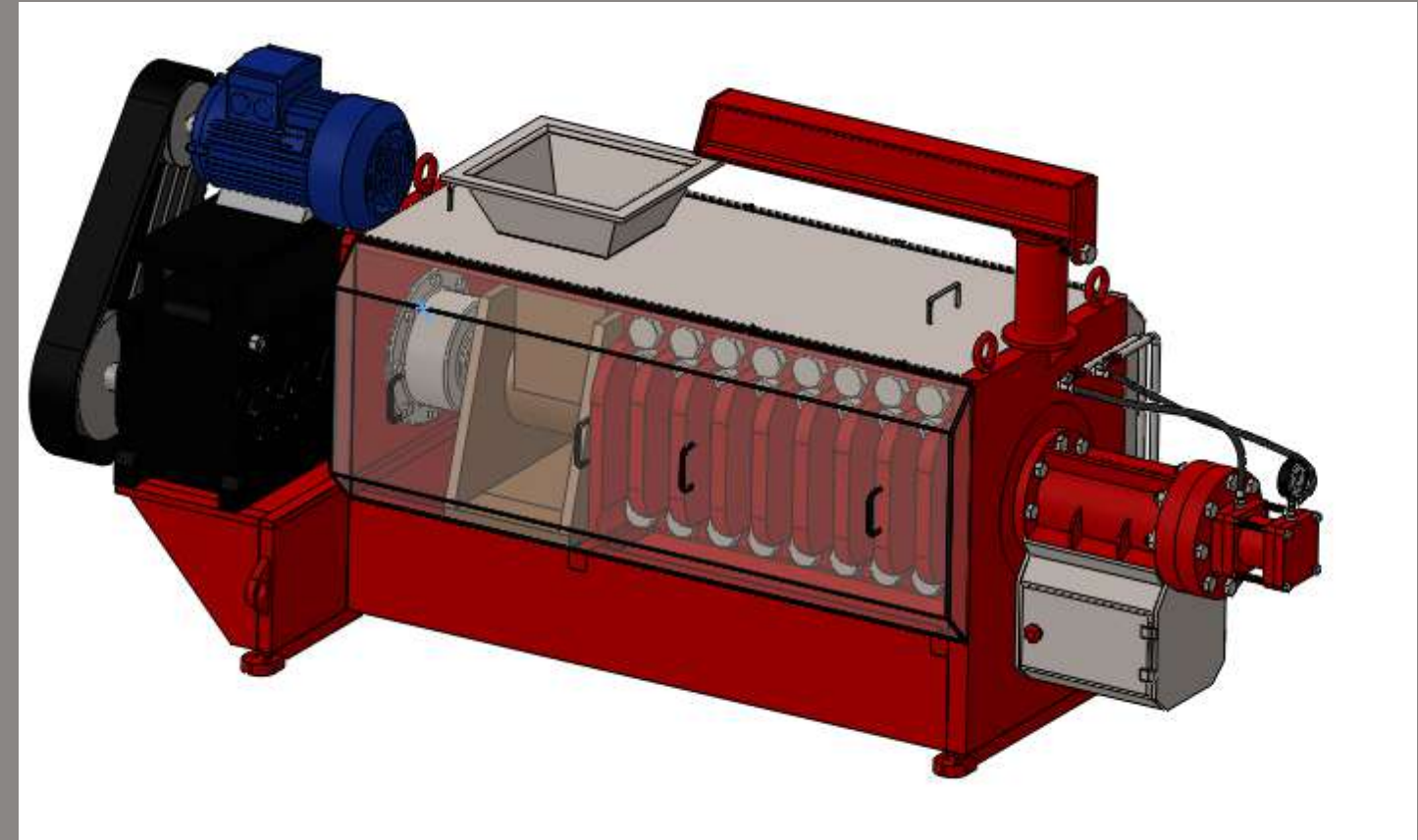
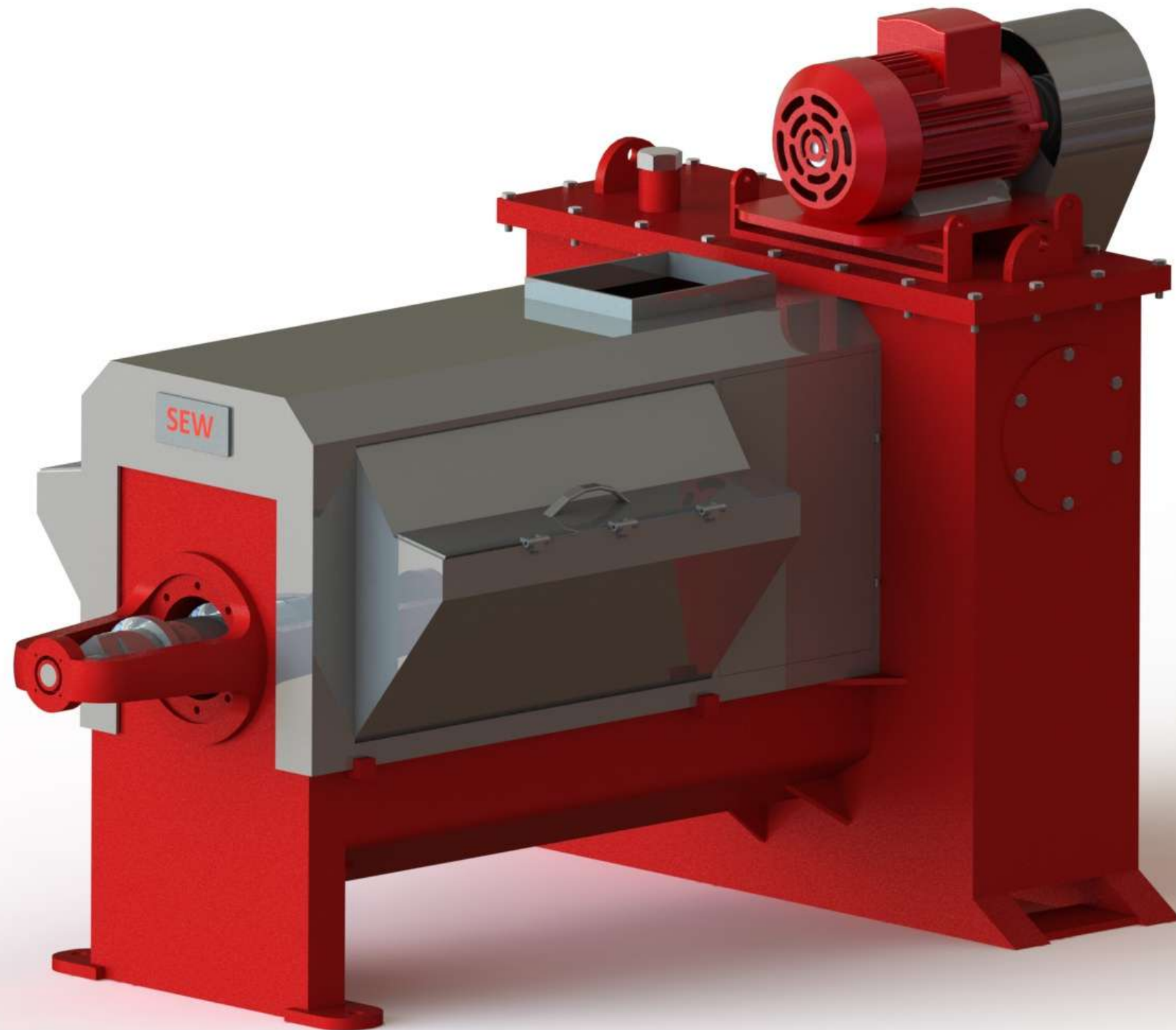
HEAVY DUTY FITTING

PRODUCT DISCHARGE

DRIVING ASSEMBLY-SEW UNIQUE UNITIZED BASE IS A SINGLE BASE FOR ALL DRIVE COMPONENTS, WHICH ARE LASER ALIGNED AT THE FACTORY FOR EASY ADJUSTMENT OF GEAR BACKLASH.

RIDING RING / TIRE





FOR RENDERING AND PROCESSING INDUSTRY

FAT EXTRACTION SCREW PRESS AND TANKS

SEW PROCESSING PROVIDES HEAVY DUTY FAT EXTRACTION SCREW PRESS WITH HIGH YIELDS EXTRACTION WITH SEVERAL TYPES COLLECTION TANKS.

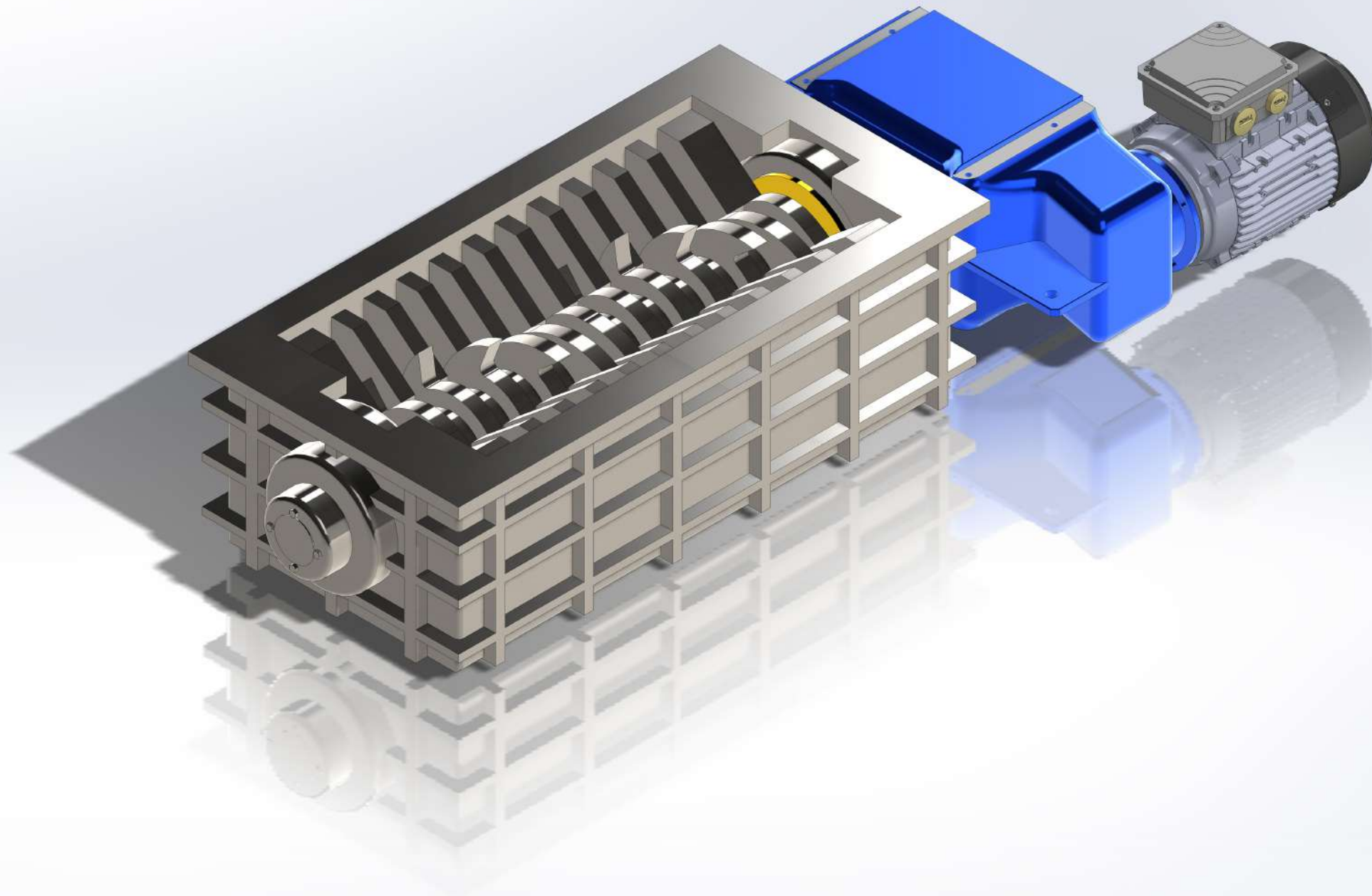


FOR RENDERING AND PROCESSING INDUSTRY

BAD ODOUR SCRUBBING SYSTEM

SEW PROCESSING PROVIDES GOOD CLASS BAD ODOUR HANDLING SYSTEM WITH, CYCLONE CONDENSING AND SCRUBBING SYSTEM.

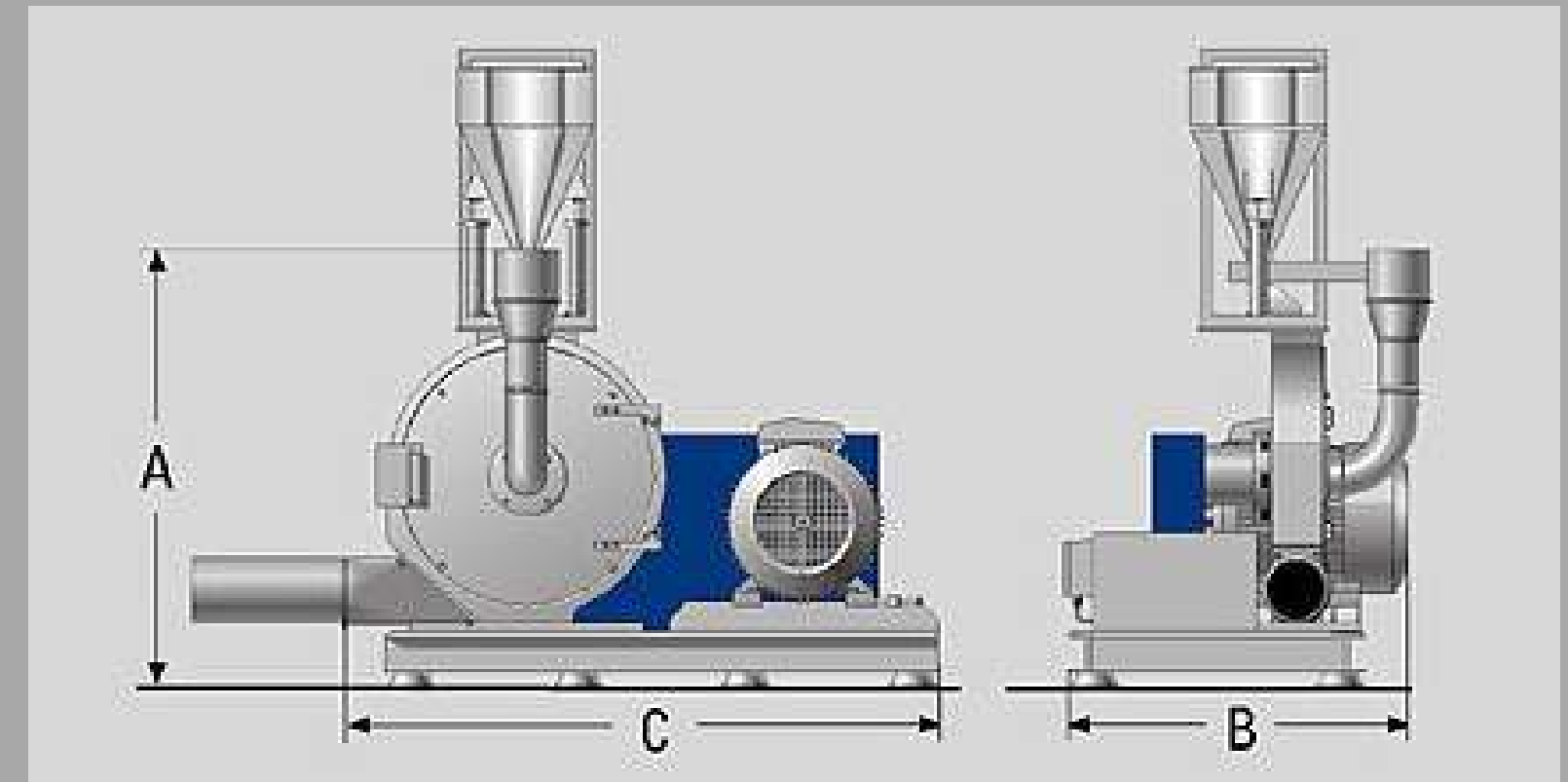
HYBREDE SYSTEM RTO



FOR RENDERING AND PROCESSING INDUSTRY

INDUSTRIAL SHREDDER OR CRUSHER

SEW PROCESSING PROVIDE A HEVT DUTY SHREDDER FOR
CRUSHING OF BUFFALO BONES TO SMALL PIECES OF
CHICKEN WASTE WHICH WILL HELP IN PROCESSING.
CAPACITY- AS PER THE REQUIREMENT



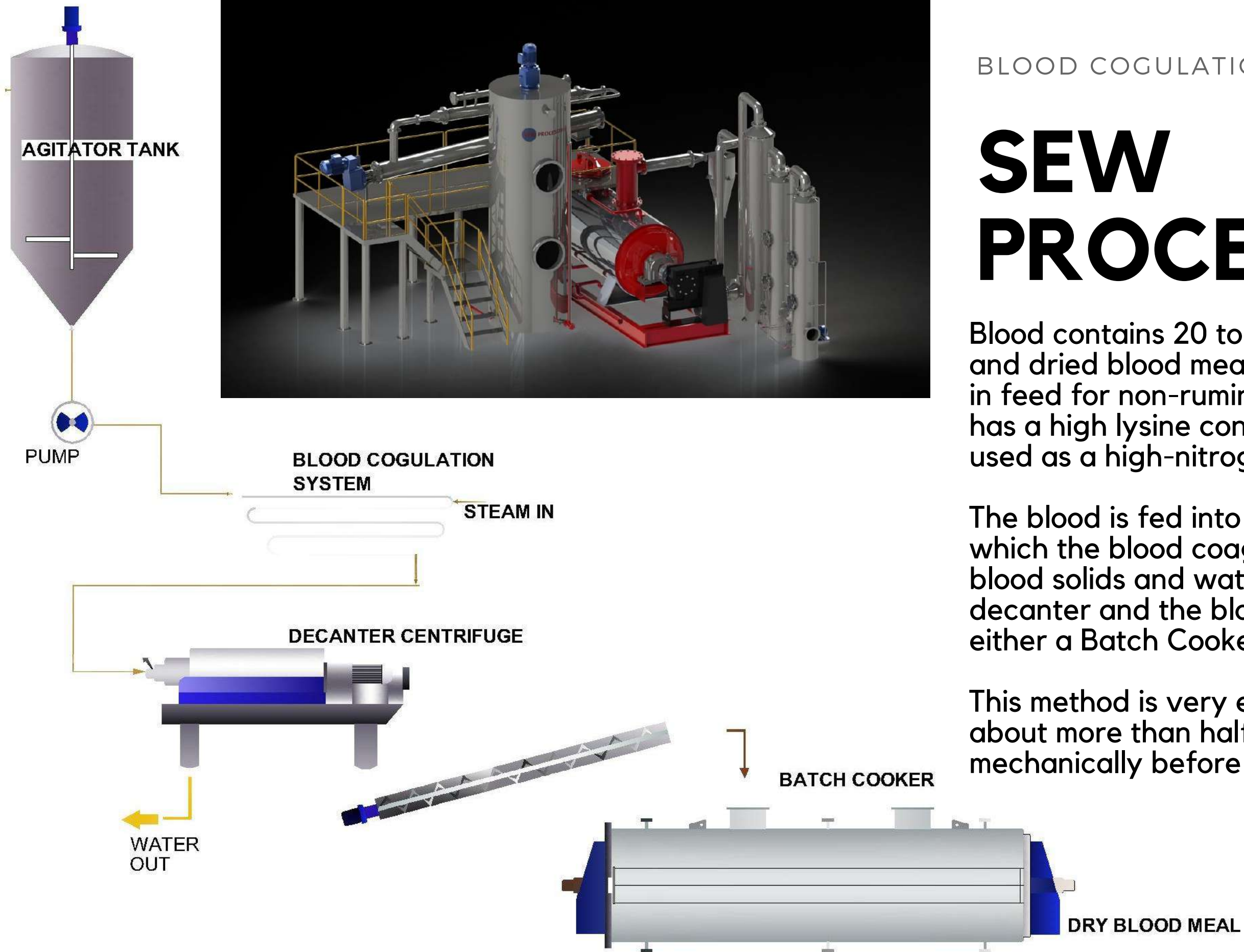
FOR RENDERING AND PROCESSING INDUSTRY

INDUSTRIAL GRINDING AND CONVEYING

INDUSTRIAL HAMMER MILL AND PULVERIZER WILL BE USED TO CONVERT THE MATERIAL IN TO POWDER AND GRANUALS SIZE AS PER THE REQUIREMENT.

CAPACITY- 2TPH OR AS REQUIRED





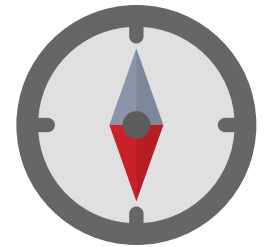
BLOOD COGULATION SYSTEM

SEW PROCESSING

Blood contains 20 to 22 percent protein solids and dried blood meal is a valuable ingredient in feed for non-ruminant animals because it has a high lysine content. Blood meal is also used as a high-nitrogen fertilizer.

The blood is fed into a blood coagulator in which the blood coagulates. The coagulated blood solids and water are separated in a decanter and the blood solids are dried in either a Batch Cooker or Digester.

This method is very energy efficient because about more than half of the water is removed mechanically before drying.



SEW ACCOMPLISHED PROJECTS

THE RENDERING AND PROCESSING INDUSTRY

HMA AGRO INDUSTRIES

RUSTAM AGRO FOODS PRODUCT PVT LTD

BETON AGRO INDUSTRIES

BERA FISHERIES .N.V (SOUTH AMERICA)

BETON PROTEINS



CE

STAR ENGINEERING WORKS

136/1 G.T.ROAD,KHATAULI

DISTT- MUZAFFAR NAGAR, UP ,INDIA



+91 9267111171 / 9870700940



www.sewprotech.com



sewrendering@gmail.com